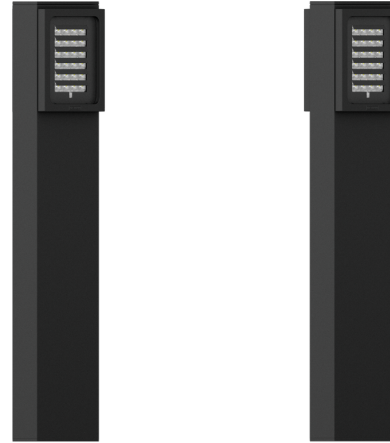


LIGHT LINEAR VT



Area distribution vertical optical bollards. Ground-breaking potent asymmetric light distribution performance from a vertical form-factor.



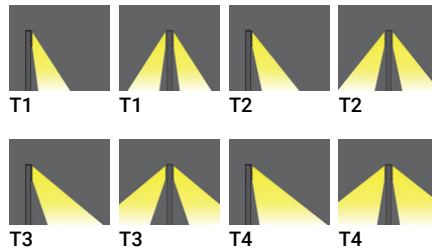
Luminaire Structure

- Die-cast aluminium housing and frame
- Extruded aluminium column
- Pre-treated before powder coating ensuring high corrosion resistance
- Single cable entry
- Stainless steel fasteners in grade 304 with zinc flake coating (ZFC)
- Durable silicone rubber gasket
- High-efficiency PMMA lens
- Clear toughened glass
- Integral control gear

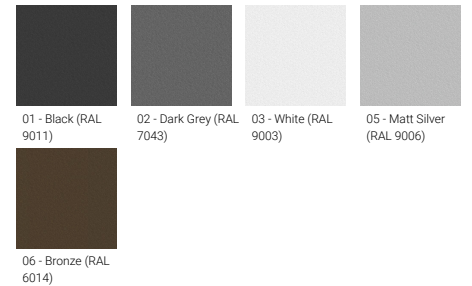
Feature



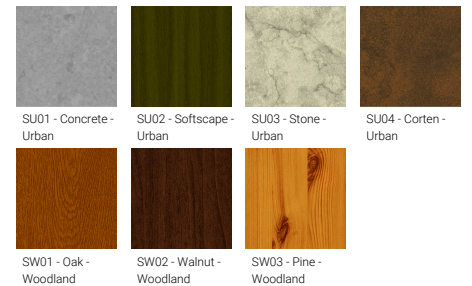
Optic



Product colour





Special finishes upon request






LIGHT LINEAR VT

Technical information

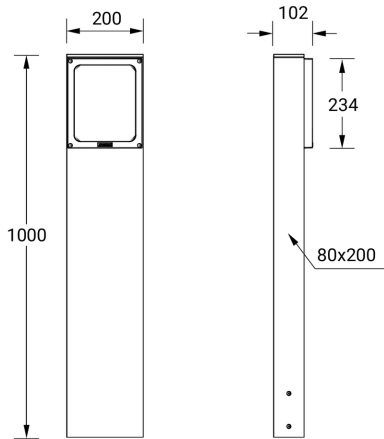
	Model number	Light source	Power	Lumen	Optic	CCT / CRI	Dimming type	Weight	
200x80 mm - 1000 mm - 1 side									
LIGHT LINEAR VT 1	VT-10001	12 LED	27 W	2052 - 2834 lm	T1 [105°x33°], T2 [139°x37°], T3 [99°x56°], T4 [49°x24°]	3000K CRI80, 4000K CRI80	On/Off, 1-10V, DALI	8.8 kg	
LIGHT LINEAR VT 1	VT-10002	24 LED	52 W	3974 - 5287 lm	T1 [104°x34°], T2 [135°x35°], T3 [94°x61°], T4 [44°x21°]	3000K CRI80, 4000K CRI80	On/Off	8.9 kg	
200x80 mm - 1000 mm - 2 sides									
LIGHT LINEAR VT 2	VT-10011	2 x 12 LED	54 W	4102 - 5667 lm	T1 [110°x105°], T2 [137°x125°], T3 [172°x94°], T4 [112°x44°]	3000K CRI80, 4000K CRI80	On/Off	9.9 kg	
LIGHT LINEAR VT 2	VT-10012	2 x 24LED	104 W	7948 - 10574 lm	T1 [104°x103°], T2 [138°x134°], T3 [171°x97°], T4 [113°x45°]	3000K CRI80, 4000K CRI80	On/Off, 1-10V, DALI	10.8 kg	

Accessory

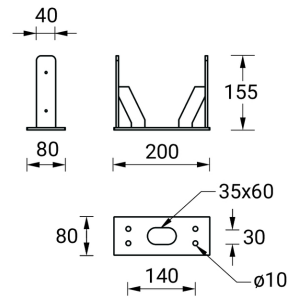
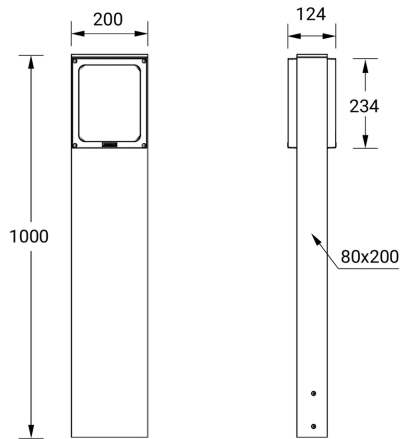
	 Anchor bolt A11191	 Root mount kit A14691	 DALI Control System Control-DALI
VT-10001	•	•	•
VT-10002	•	•	
VT-10011	•	•	
VT-10012	•	•	•

LIGHT LINEAR VT

VT-10001, VT-10002



VT-10011, VT-10012



LIGHT LINEAR VT



LIGHT LINEAR VT

Street & area lighting luminaires

Public realm contemporary column family.
Ground-breaking potent asymmetric light
distribution performance from a vertical form-
factor.

<https://www.ligman.com/light-linear-vt-street-area-lighting-luminaires-light-st3/>